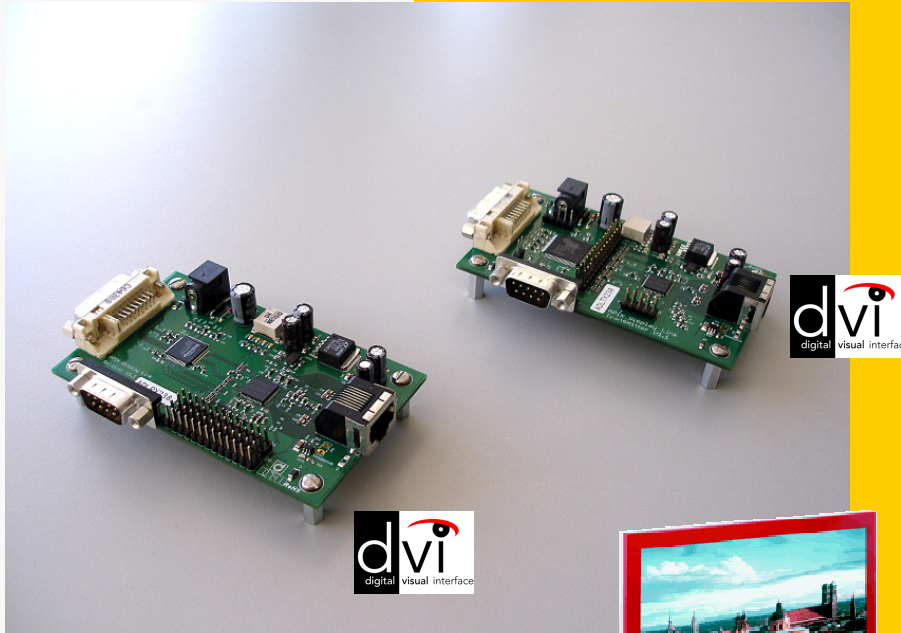




APIX® Display Link Demo Set



Inova Semiconductors' APIX® Display Link Demo Set demonstrates long-distance extension of digital video and HMI functionality through 4 wires only!

The integrated board solution offers uncompressed long-distance transmission of

- Digital Video up to SVGA resolution
- RS232

over conventional CAT5e-cables up to 25 meters.

The set of boards (Transmitter and Receiver) is prepared for the adaptation to all displays or electronic Equipment with DVI interface. For industrial applications the 18 bit TTL RGB interfaces on both ends allow to directly connect small-scale TFT-LC-displays, Industrial or Medical remote terminals. Mixed interfacing, e.g. DVI at Transmitter side and TTL RGB at Receiver side, is possible. Operation of the boards does not require any software drivers (DDC function supported).

The demo set consists of two credit-card sized boards (Transmitter and Receiver), one 10 meters CAT5e link cable and one special USB-cable for power supply through a local USB port of a PC or notebook.



Part Number: APIX_ADLS
(for ordering)



Technical Details

Feature Set Tx-Board:

- Supported Video Resolutions: up to SVGA
- Video Interfaces: DVI-D and 18 Bit RGB TTL
- RS232 interface
- Long-Distance Link Cable Connector: RJ45
- Single Power Supply +5V

Feature Set Rx-Board:

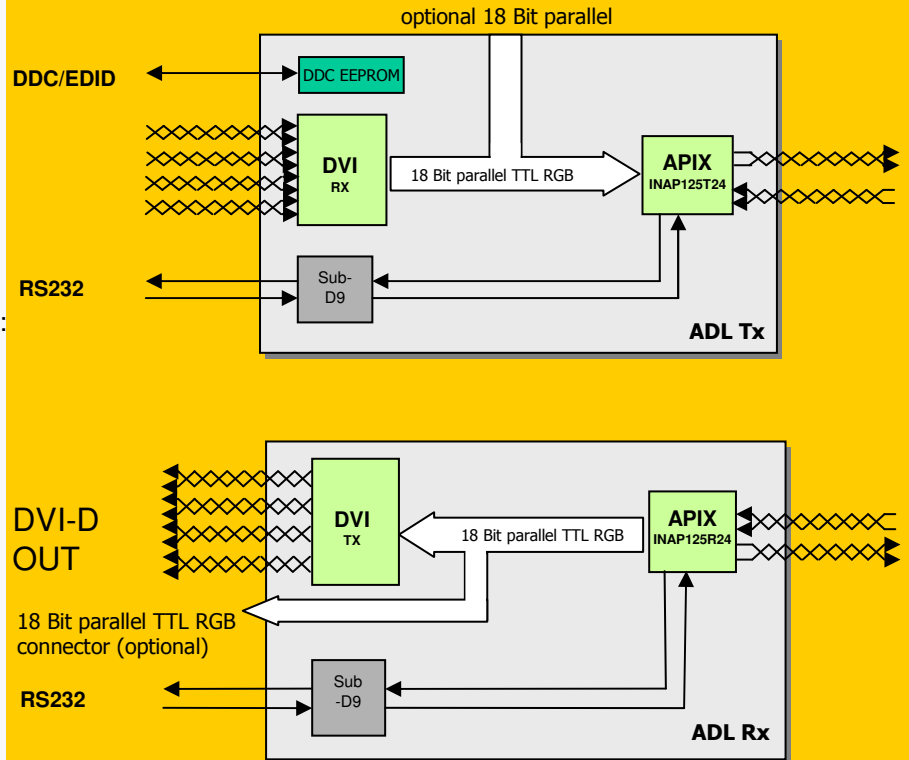
- Video Resolutions up to SVGA
- Video Interfaces: DVI-D and 18 Bit RGB TTL
- RS232 interface
- Long distance cable connector: RJ45
- no power required

Set content:

(Deliverable)

- Tx + Rx boards incl. power supply
- 10m CAT5e cable
- Schematics & Layout Documentation

Distributor:



APIX Applications

- Rear-Seat Infotainment Systems
- In-Car Information Displays
- Automotive Dashboard Displays
- Car Head-Up Displays
- Automotive Vision Systems
 - Adaptive Cruise Control
 - Lane Departure Warning
 - Lane Change Assistant
 - Obstacle Detection
 - Sign Recognition
 - Blind Spot Detection
- Infotainment Systems
- Surveillance Systems
- Industrial Inspection Cameras

Inova Semiconductors GmbH

Grafinger Str. 26
D-81671 München / Germany
Tel. ++49 / 89 / 45 74 75 – 60
www.inova-semiconductors.de
info@inova-semiconductors.de