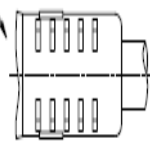
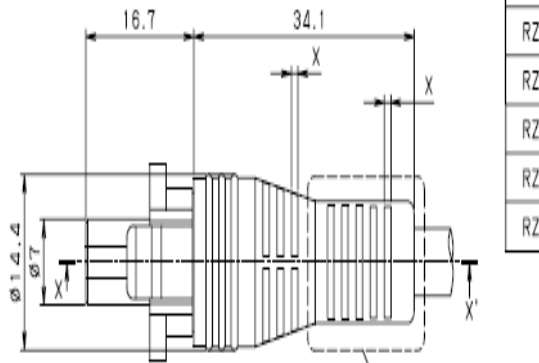




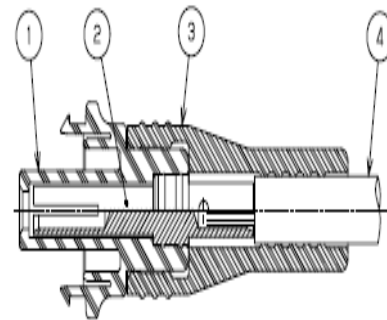
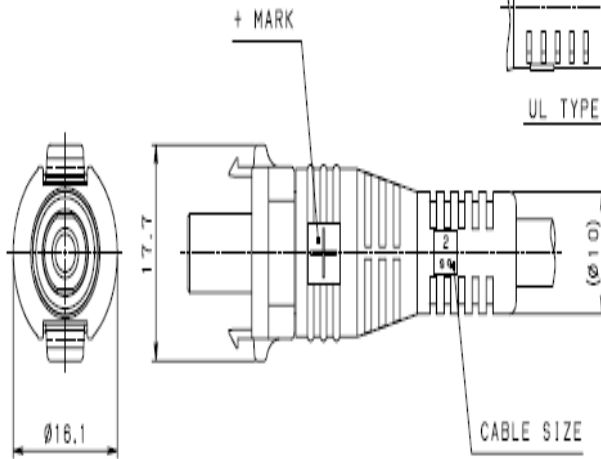
HONDA CONNECTORS

TABLE 1.

Part No.	X	Cable Wire Size	Cable Wire Size Mark	Authorization Mark
RZM-1SPFCT1+SR	1.0	4SQ	4 sq	△ (TÖV)
RZM-1SPFCT2+SR		3.5SQ	3.5 sq	
RZM-1SPFCT3+SR		2SQ	2 sq	
RZM-1SPFCT4+SR	0.7	AWG#10	#10	UL (UL)
RZM-1SPFCT5+SR		AWG#12	#12	
RZM-1SPFCT6+SR		AWG#14	#14	

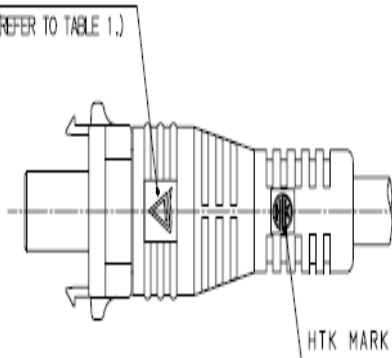


UL TYPE



SECTION X-X

Authorization Mark
(REFER TO TABLE 1.)

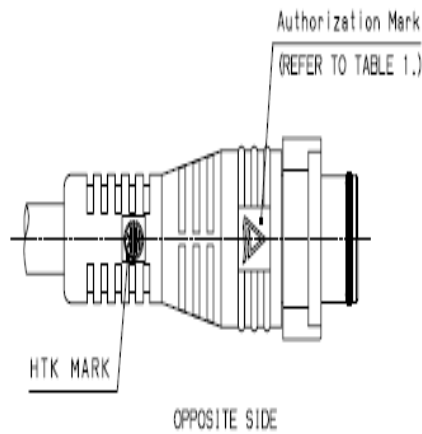
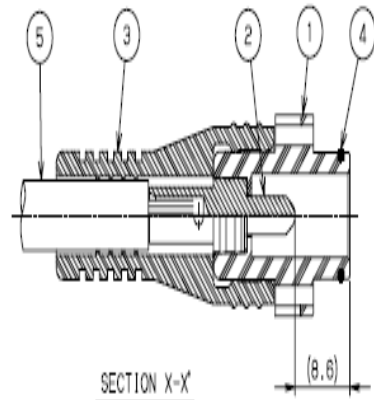
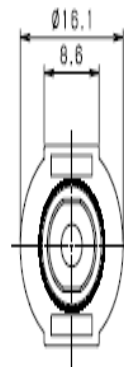
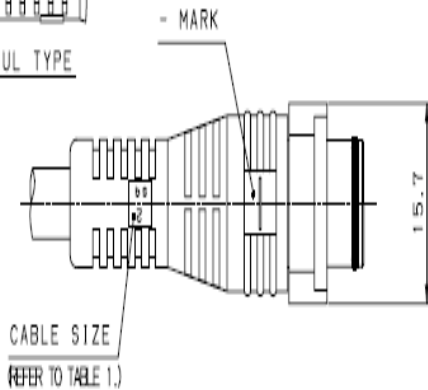
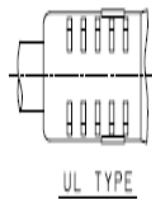
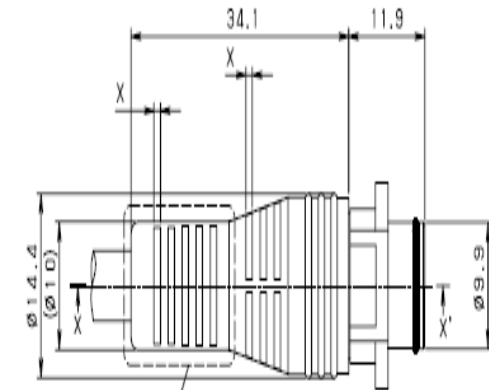


OPPOSITE SIDE

				4	CABLE		1		BLACK
△				3	HOOD	ELASTOMER	1		TUV: BLACK UL: GRAY
△				2	JACK CONTACT	COPPER ALLOY	1		TIN PLATE
△				1	INSULATOR	PPE RESIN	1		UL94V-0 BLACK
DATE	BY	REV.	DESCR.	No.	PART NAME	MATERIAL	QTY	FINISH	NOTE
20 MAY. (2008)		2/1							
SCALE					UNIT				
mm (INCH)					3RD. A. P.				
本多通管工業株式会社									
HONDA TSUSHIN KOGYO CO., LTD.									
DR.					DE.				
CHK.					CHK.				
APP.					名 稱				
					SOLARSYSTEM CONNECTOR JACK TYPE (RoHS)				
					製 番				
					PART NO. RZM-1SPFCT () +SR				

TABLE 1.

Part No.	X	Cable Wire Size	Cable Wire Size Mark	Authorization Mark
RZM-1SPMCT1+SR	1.0	4SQ	4 SQ	△ (TUV)
RZM-1SPMCT2+SR		3.5SQ	3.5 SQ	
RZM-1SPMCT3+SR		2SQ	2 SQ	
RZM-1SPMCT4+SR	0.7	AWG#10	#10	UL (UL)
RZM-1SPMCT5+SR		AWG#12	#12	
RZM-1SPMCT6+SR		AWG#14	#14	



5	CABLE	—	1	—	BLACK
4	O-RINGS	SILICONE RUBBER	1	—	GRAY
3	HOOD	ELASTOMER	1	—	TUV: BLACK UL: GRAY
2	PLUG CONTACT	COPPER ALLOY	1	TIN PLATE	—
1	INSULATOR	PPE RESIN	1	—	UL94V-0 BLACK

REV.	DATE	BY	REV. DESCRIPT	No.	PART NAME	MATERIAL	QTY	FINISH	NOTE
DATE	SCALE	UNIT	本多通磨工業株式会社 HONDA TSUSHIN KOGYO CO., LTD.						
23 MAY(2008)	2/1	mm (INCH)	3RD. A. P	SOLARSYSTEM CONNECTOR PLUG TYPE (RoHS)					
DR.	DE.	CHK.	CHK.	APP.	名	NAME RZM-1SPMCT ()+SR			
					製	PART NO.			