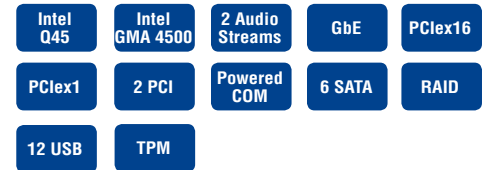


Features

- Supports Intel® Core™ 2 Quad / Core™ 2 Duo CPU
- Intel® Q45 / ICH10DO Chipset Supports Intel® AMT 5.0 & vPro
- Four DIMMs up to 8 GB 2-CH DDR2 800 / 667 SDRAM, non-ECC
- Intel® Graphics Media Accelerator 4500
- Realtek ALC888 supports 7.1+2-CH Audio Streams
- Intel® 82567-LM Gigabit Ethernet
- 1 PCIe16, 1 PCIe1, 2 PCI 2.3
- 2 Powered COM, 12 USB, 6 SATA II, 16-bit GPIO
- TPM 1.2
- 6xSATA with Intel® Matrix Storage Manager Support
- PCIex16 Supports ADD2 DVI/VGA/HDMI/LCDS Cards



System

CPU	LGA775 socket for Intel® Core™ 2 Quad / Core™ 2 Duo Processors with 45nm process technology, TDP 95 W
FSB	1333 / 1066 / 800 MHz
BIOS	Award 32 Mb SPI BIOS
System Chipset	Intel® Q45 GMCH / ICH10DO
I/O Chip	Winbond W83627DHG-A
System Memory	Four 240-pin DIMM sockets support up to 8 GB Dual Channel DDR2 800/667 SDRAM, non-ECC, un-buffered memory
H/W Status Monitor	Monitoring temperatures, voltages, and fan status with auto throttling control
Watch Dog Timer	Reset: 1 sec. ~255 min. and 1 sec. or 1 min./step
Expansion	One PCIe16, one PCIe1, two PCI (Rev. 2.3 compliant)
S3 / S4	Yes
TPM	Intel® integrated
RAID	6 SATAII with RAID 0,1,5, and 10
Wake on LAN/Ring	LAN mode (PXE / RPL)
SmartFan Control	Yes , support 3 modes (Silent/Optimal/Performance)

I/O

MIO	1 x EIDE 66/100/133, 6 x SATA, 1 x LPT, 2 x RS-232(5V/12V), 1x K/B, 1 x Mouse
USB	12 x USB 2.0
DIO	16-bit DIO

Display

Chipset	Intel® Q45 GMCH integrated Graphics Media Accelerator 4500
Display Memory	Intel® DVMT 4.0 supports up to 352 MB shared video memory
Max. Resolution	2048 x 1536 @ 32 bpp (75Hz)
VGA	Yes, on board GMA 4500
LVDS	Through ADD2 LVDS Card
DVI	Through ADD2 DVI Card
HDMI	Through ADD2 HDMI Card
Secondary VGA	Through ADD2 VGA Card

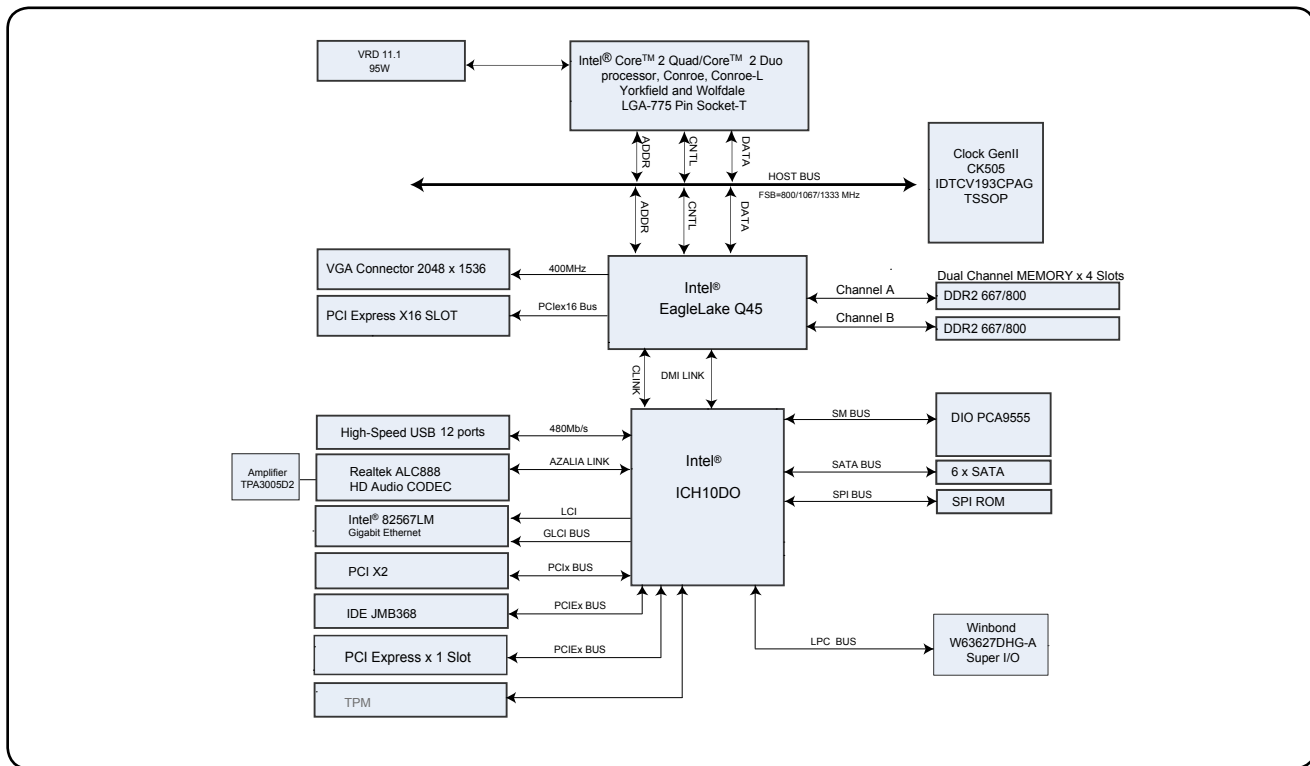
Audio

Audio Codec	Realtek ALC888 high-definition Audio Codec supports 7.1+2-CH independent audio streams
Audio Interface	Line-out, Line-in, Mic-in, SPDIF header
Amplifier	6W, TPA3005D2 chip

Ethernet

LAN	Intel® 82567-LM PCI-E Gigabit Ethernet
------------	--

Block Diagram



1
ATX

2
Micro
ATX

3
Mini
ITX

4
Nano
ITX

Rear Panel I/O Port

Rear Panel I/O Port	<ul style="list-style-type: none"> 1 x PS/2 Keyboard 1 x PS/2 Mouse 1 x VGA port 1 x LPT port 1 x COM Port 1 x RJ-45 port 4 x USB 2.0/1.1 Audio Jack (3 ports)
----------------------------	--

Internal I/O Connector

Internal I/O Connector	<ul style="list-style-type: none"> 4 x USB connectors support additional 8 USB ports 1 x IDE connector 6 x SATA connectors 1 x CPU Fan connector 1 x Chassis Fan connector 1 x Power Fan connector 1 x Front panel header 1 x S/PDIF Out Header 1 x Chassis Intrusion header 1 x 24-pin ATX Power connector 1 x 4-pin ATX 12V Power connector 1 x 4-pin Audio Amplifier
-------------------------------	---

Mechanical & Environmental

Power Type	ATX
Operating Temperature	0~60°C (32~140°F)
Operating Humidity	0%~90% relative humidity, non-condensing
Size (L x W)	9.6" x 9.6" (243.84 mm x 243.84 mm)
Weight	1.32 lbs (0.6 Kg)

5
ACP

6
System

7
Accessory

Ordering Information

ACP-Q45DV-A1R Intel® Q45 LGA775 Core™ 2 Quad Micro ATX Motherboard with VGA, Audio, GbE, 2 COM, 12 USB, 6 SATA, 1 PClex16, PCIex1, 2 PCI, 16 GPIO, TPM w/ SATA cable, IDE cable, Bracket, CD driver