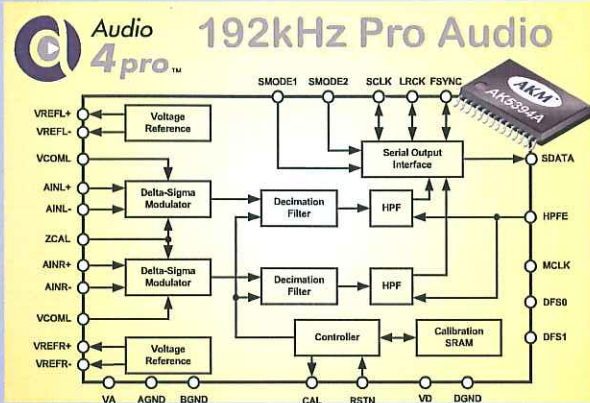


Audio ADC

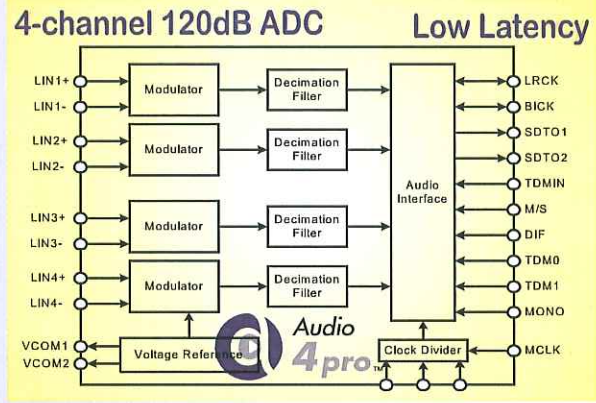
AK5394A Highest Performance Flagship Stereo ADC



- DR, SNR: 123dB
- THD+N: -110dB
- Sampling rate: 1kHz to 216kHz
- Flat noise floor to fs/2 at 192kHz
- Stop-band attenuation: 120dB
- Defeatable digital high-pass filter and calibration for offset cancellation
- 28-pin SOP package

AK5388 High performance Quad-channel ADC

*
Preview



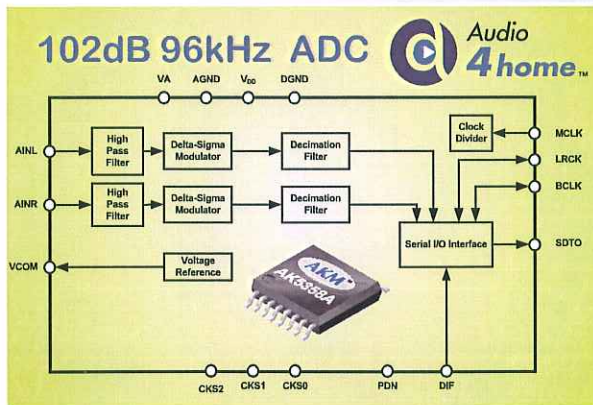
- DR, SNR: 120dB (quad); 123dB (stereo)
- THD+N: -110dB
- Sampling rate: 8kHz to 216kHz
- Low latency (12.6/fs)
- TDM interface mode
- Minimal-phase FIR filter
- Master or slave operation
- 44-pin LQFP package

* For more information of product status, contact
AKM local marketing office.

		Performance				Temp Range		Power			Control	Pac
		Bits	Max fs	DR	THD+N	Low	High	VA	VD	mW	Interface	Pins
+3 ~ 5V Supply	AK5394A	24	216	123	-110	-10	70	5	3.3	665	HW	28
	AK5393	24	96	117	-105	-10	70	5	3.3	470	HW	28
	AK5388	24	216	123	-110	-10	70	5	3.3	575	HW	44
	AK5386	24	216	110	-96	-40	85	5	3.3	118	HW	16
	AK5385B	24	216	114	-100	-40	85	5	3 ~ 5	180	HW	28
	AK5384	24	96	107	-100	-40	85	5	5	215	HW	28
	AK5381	24	96	106	-96	-40	85	5	3 ~ 5	120	HW	16
	AK5371A	16	48	84	-70	0	70	3.3	3.3	86	USB	48
	AK5367	24	96	102	-90	-20	85	5	3.3	97	I ² C	30
	AK5366	24	48	103	-94	-40	85	5	3.3	127	3-wire / I ² C	44 or 48
	AK5365	24	96	103	-94	-40	85	5	3 ~ 5	127	3-wire / I ² C	44
	AK5359	24	216	102	-94	-40	85	5	3 ~ 5	95	HW	16
	AK5358B	24	96	102	-92	-20	85	5	3.3	70	HW	16
	AK5357	24	96	102	-88	-20/-40	85/105	3 ~ 5	3 ~ 5	70	HW	16
Low Power	AK5702	16	48	89	-78	-30	85	2.4 ~ 3.6	1.6 ~ 3.6	38	3-wire / I ² C	32
	AK5701	16	48	89	-78	-30/-40	85	2.4 ~ 3.6	1.6 ~ 3.6	24	3-wire	24
	AK5700	16	48	89	-78	-30	85	2.4 ~ 3.6	1.6 ~ 3.6	17	3-wire	24
	AK5356	20	48	89	-84	-40	85	2.0 ~ 3.3	1.8 ~ 3.3	24	HW	28
	AK5355	16	48	91	-85	-40	85	2.4 ~ 3.3	2.4 ~ 3.3	15	HW	16

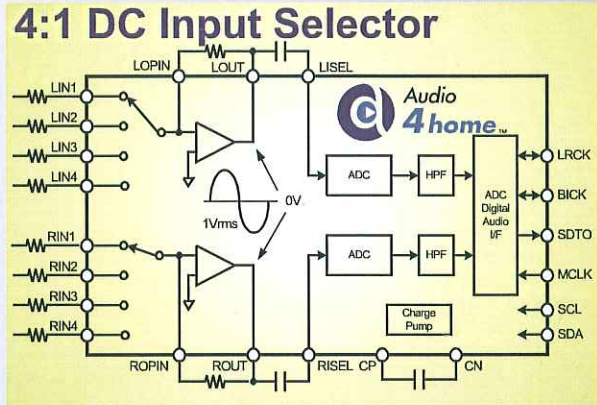
Audio ADC

AK5358B Best Cost-to-Performance 102dB ADC



- DR, SNR: 102dB
- THD+N: -92dB
- Sampling rate: 8kHz to 96kHz
- Single-ended inputs
- Master or slave operation
- Industry's lowest cost >100dB ADC
- Defeatable digital high-pass filter
- 16-pin TSSOP package

AK5367 Ground-Referenced Multi-channel Input



- DR, SNR: 102dB
- THD+N: -90dB
- Sampling rate: 32kHz to 96kHz
- 4:1 stereo input selector
- Ground-referenced inputs
- Programmable gain amplifier with external feedback resistance
- 30-pin VSOP package

Package	Features			General
Type	IPGA	Master	CHs	
SOP		Y	2	Highest performing audio ADC on the market
SOP		Y	2	Very high performance 96kHz ADC
LQFP		Y	4	Quad (120dB) or stereo (123dB) operation, low latency, TDM mode
TSSOP		Y	2	Best performing single-ended ADC
VSOP		Y	2	Outstanding cost-to-performance ratio, fully differential
VSOP		Y	4	4-channels, TDM interface, master or slave mode
TSSOP		Y	2	Selectable high pass filter, master or slave mode
LQFP	Y		2	USB output interface, microphone amp, PGA, USB certified
VSOP	Y	Y	2	4-channel ground-referenced input selector, PGA
LQFP	Y	Y	2	5-channel input selector, peak hold circuit, PGA, automatic level control
LQFP	Y	Y	2	5-channel input selector, PGA, automatic level control
TSSOP		Y	2	Low power, master or slave mode, low cost 192kHz ADC
TSSOP		Y	2	Low power, master or slave mode, low cost
TSSOP		Y	2	Low power, master or slave mode; Extended automotive temp. range version "K" available
QFN		Y	4	2:1 X 2 input MUX, microphone amp, ALC, PLL, operates at 2.4V analog / 1.6V digital
QFN		Y	2	2:1 input MUX, microphone amp, ALC, PLL, operates at 2.4V analog / 1.6V digital
QFN		Y	1	2:1 input MUX, microphone amp, ALC, PLL, operates at 2.4V analog / 1.6V digital Automotive temperature range (-40 to +85) version "K" available
QFN	Y		2	Low power, PGA, microphone amp
TSSOP	Y		2	Ultra-low power, fixed PGA, low cost, small QFN package